

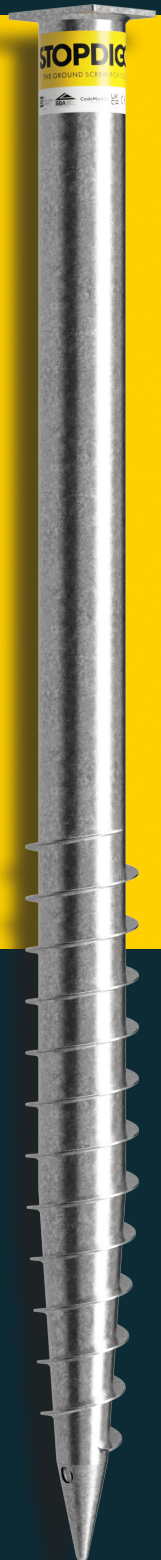
# SGP

## ADAPTER SCREW

Material:  
Hot-dip galvanized steel

Length: 580 to 2000mm | Screw diameter: 68mm

**SGP 95M 68x2.0 L1200**  
USE WITH VARIOUS ADAPTERS



SGP Adapter screw Product sheet VERS 1.0 | 2025 - 03

**GROUND SCREWS**  
built for strength,  
designed for  
sustainability

### CERTIFICATE

Material	EN 10027-1:2016: S235 JR
Product CE	EN 1090
Galvanization	ISO 1461:2009
Manufacturing process	EN 1090 / ISO 9001:2015
Installation process	ISO 9001:2015
Expected min. service life*	100 years

\*StopDigging stipulates an estimated minimum lifetime for its ground screws. The amount reflects the number of years an installed screw is expected to fulfill its technical purpose under normal conditions, and is based on many years of experience and research.

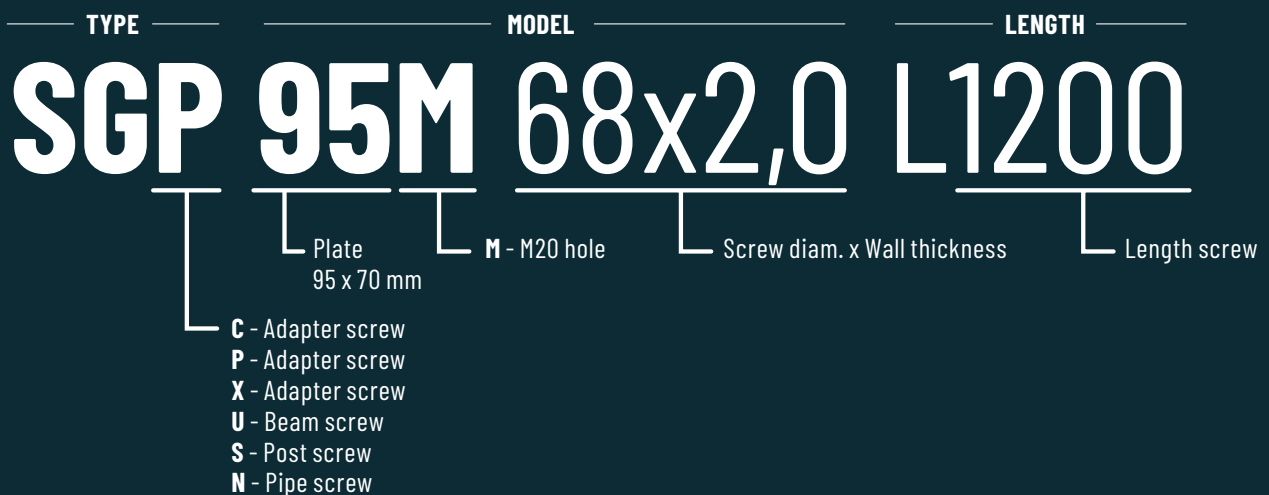
# For ultimate flexibility in your building projects

The SGP Adapter Screw provides a customisable foundation solution. Perfect for use with various adapters, it allows for easy adjustments and secure installation of a wide range of structures. Whether you're working with temporary or permanent setups, this screw offers the versatility and strength you need to get the job done efficiently and effectively.

## FIND YOUR SCREW:

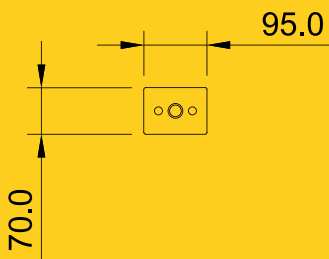
Lengths →

Model		580	865	1200	1600	2000
95M	68x2.0	4005	4003	4004		
	68x3.0				4006	
	68x3.5					4007



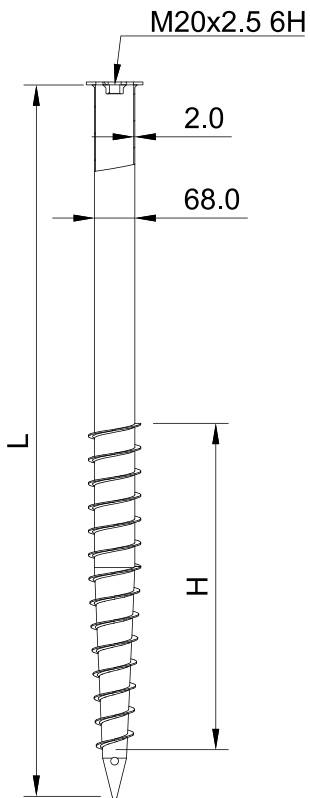
# SGP 95M 68x2.0

Art	Comp (kN)	Tens (kN)	Lat (kN)	L (mm)	H (mm)
4003	6	4,5	2,5	865	280
4004	12,5	6,5	4,5	1200	480
4005	2,5	1,7	0,5	580	280



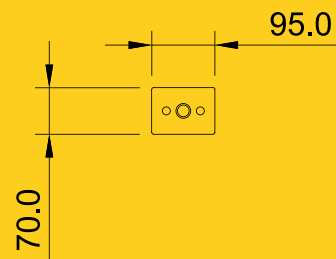
EXPECTED  
MINIMUM  
SERVICE LIFE  
**100**  
YEARS\*

\*Terms apply, see warranty terms



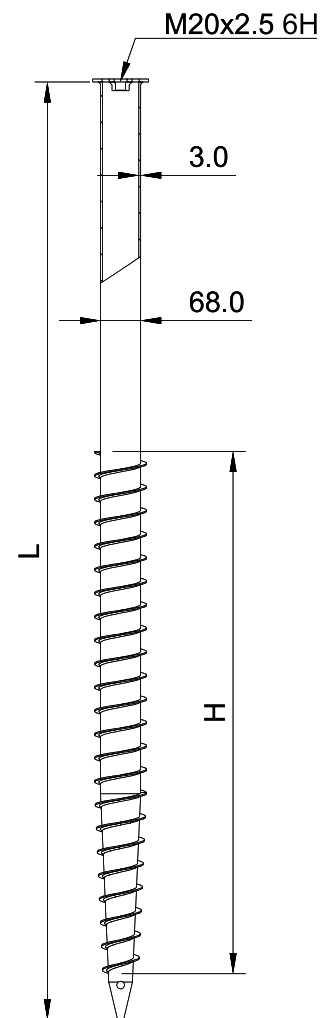
# SGP 95M 68x3.0

Art	Comp (kN)	Tens (kN)	Lat (kN)	L (mm)	H (mm)
4006	25,5	14,5	7	1600	820



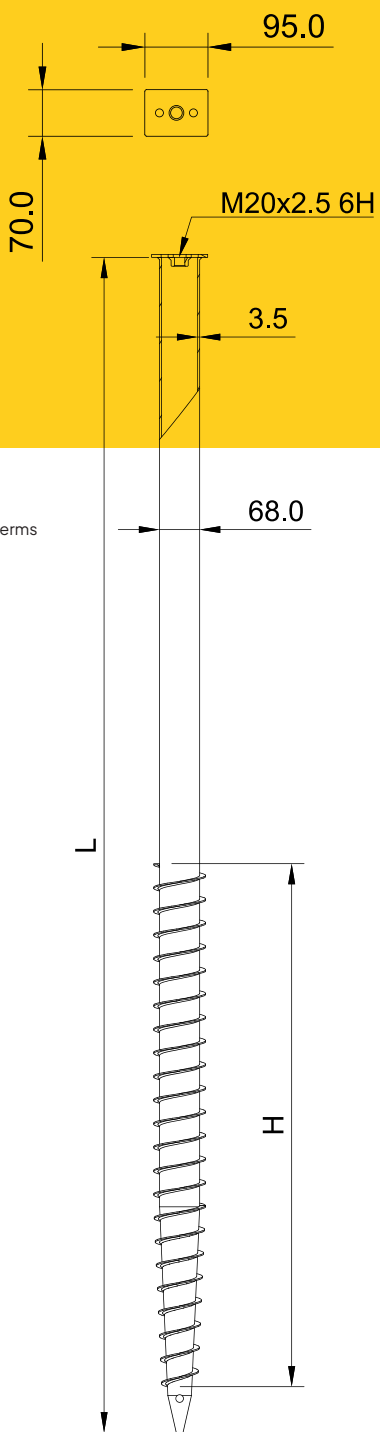
EXPECTED  
MINIMUM  
SERVICE LIFE  
**100**  
YEARS\*

\*Terms apply, see warranty terms



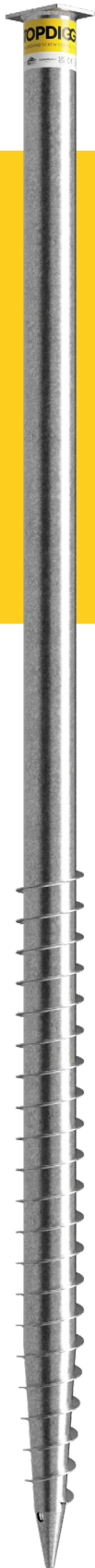
# SGP 95M 68x3.5

Art	Comp (kN)	Tens (kN)	Lat (kN)	L (mm)	H (mm)
4007	25.5	14.5	7	2000	820



EXPECTED  
MINIMUM  
SERVICE LIFE  
**100**  
YEARS\*

\* Terms apply,  
see warranty terms



**STOPDIGGING!**<sup>®</sup>  
FOUNDATIONS MADE SMARTER

**MAIN OFFICE:** GRUSTAGSGATAN 1B, 254 64 HELSINGBORG, SWEDEN  
**PHONE:** +46 10 - 147 07 00 | **MAIL:** INFO@STOPDIGGING.SE